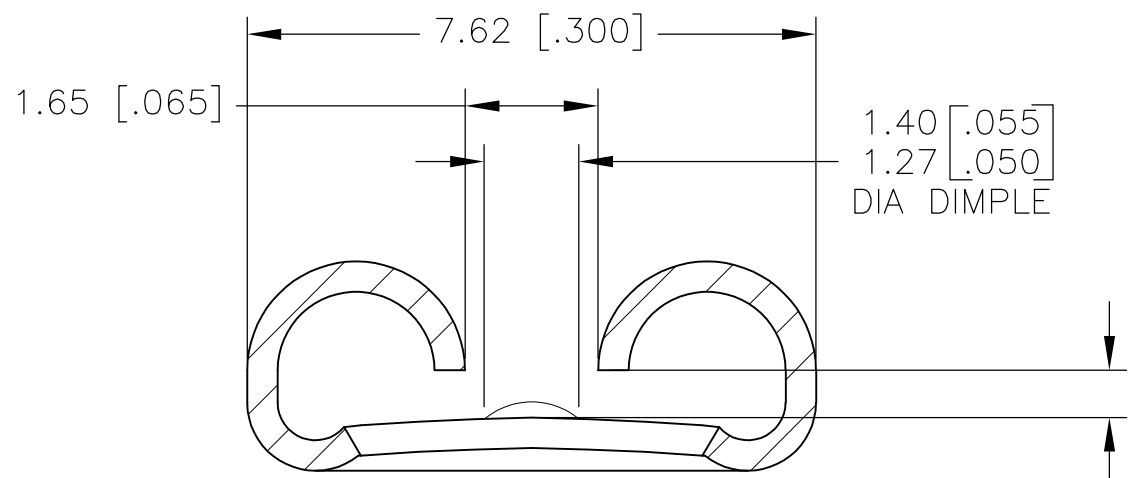
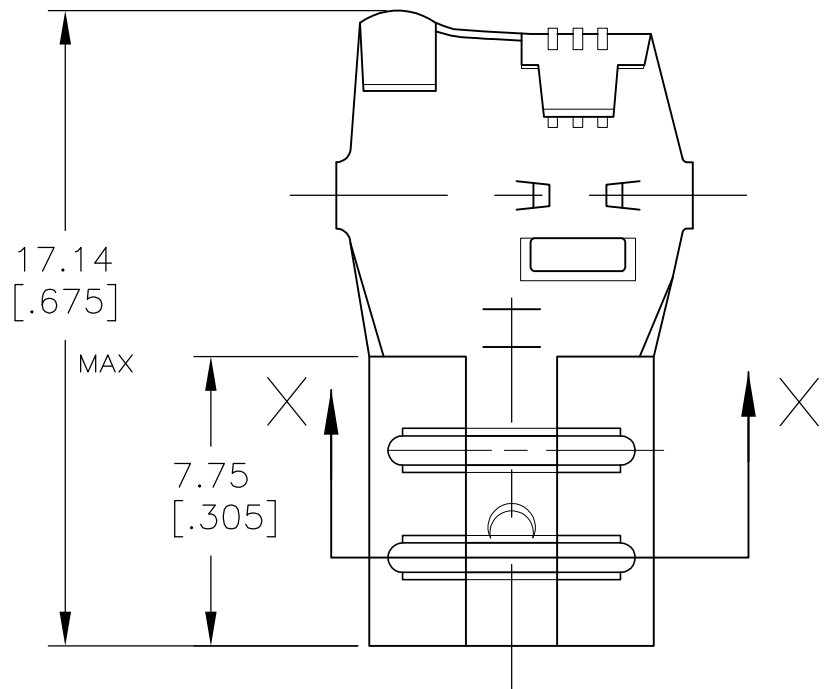


THIS DRAWING IS UNPUBLISHED. RELEASED FOR PUBLICATION
 © COPYRIGHT - By - ALL RIGHTS RESERVED.

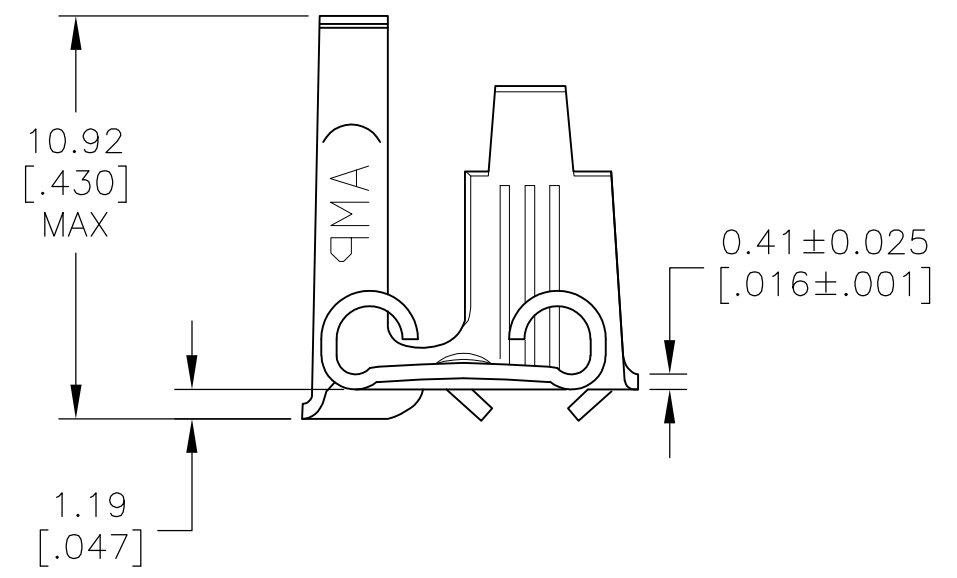
LOC	DIST	REVISIONS					
AF	50	P	LTR	DESCRIPTION	DATE	DWN	APVD
		C2		REVISED PER ECO-13-002238	07FEB13	JR	PD

- CONTINUOUS STRIP ON REELS
- WIRE SIZE IS [#18-#12] AWG
- INSULATION RANGE IS 2.79-5.33
[.110-.210] DIA
- MATING TAB THK IS 0.81±0.025
[.032±.001]



FITS 6.35 [.250] SERIES
FASTON TABS

SECTION X-X
SCALE 10:1



42404-1
PART NO

THIS DRAWING IS A CONTROLLED DOCUMENT.		DWN JR RUTH 4/5/91	TE Connectivity				
DIMENSIONS: MM [INCHES]		CHK MS FEHER 4/5/91					
TOLERANCES UNLESS OTHERWISE SPECIFIED:		APVD C MEYERS 4/5/91	NAME				
0 PLC ± - 1 PLC ± - 2 PLC ± 0.25 [.010] 3 PLC ± - 4 PLC ± - ANGLES ± -		PRODUCT SPEC	RECEPTACLE, FLAG, FASTON, .250 SERIES				
MATERIAL T2 STEEL		FINISH NICKEL	APPLICATION SPEC	SIZE	CAGE CODE	DRAWING NO	RESTRICTED TO
			WEIGHT -	A3	00779	C-42404	-
CUSTOMER DRAWING			SCALE 5:1	SHEET 1 OF 1	REV C2		